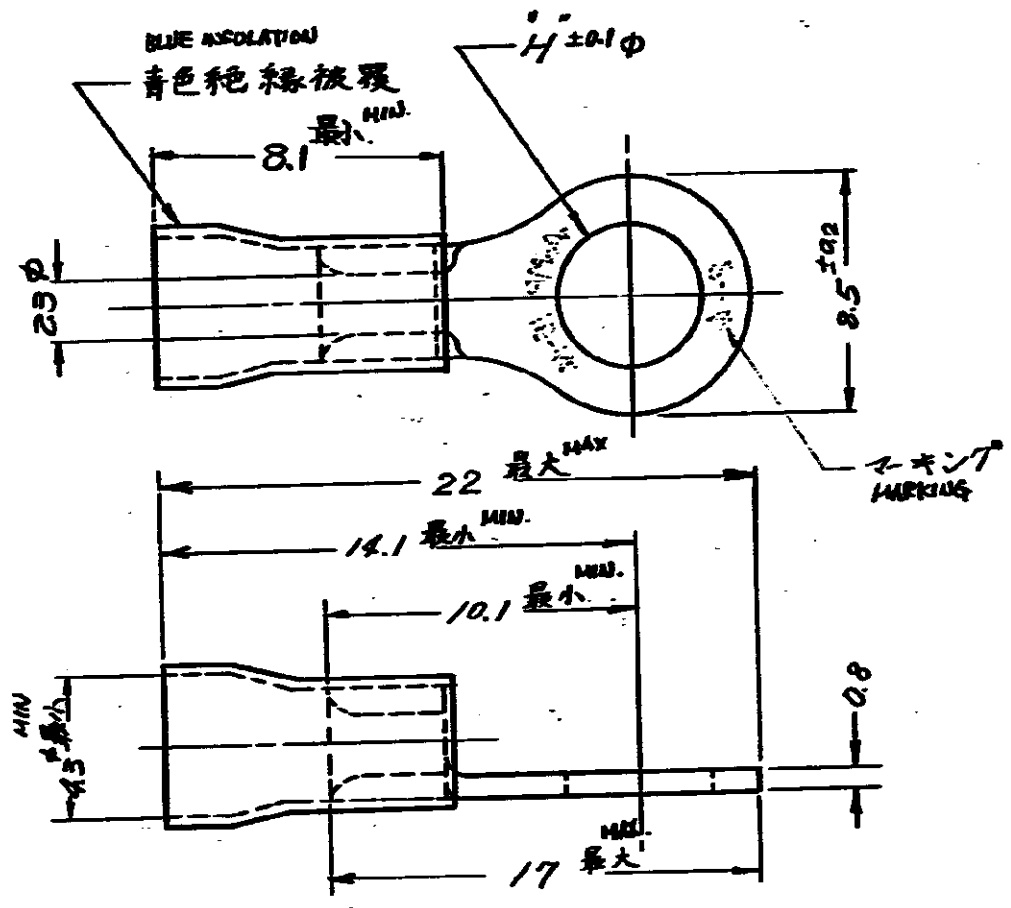


PRINTED IN JAPAN  
C-170782



◎ INACTIVE

INS	NO	JR. SPEC. NO.	DIM.	MARKING
ONTAPE 型番	型番	日本国有鉄道仕様書 図面	寸法	マーキング
<del>2-170782-1</del>	170782-1	ED564465, PS 2-4	4.4	2-4

単位: 凡 DIMENSIONS IN MM. DO NOT SCALE DRAWING

C1 OBSOLETE (F300-0515) K.N. Y.T. 6-8		CIRCUIT AMP (Japan) and ALL OTHERS COVERED BY PATENTS AND/OR PATENTS PENDING		参考図面 (CUSTOMER COPY, REFERENCE ONLY)	
C INACTIVE (J84-7610) M.S. DO 3/24		MATERIAL: 電気銅 (ELECTRICAL COPPER)		AMP   AMP (JAPAN), LTD. Tokyo, Japan	
B ADDED MATL. FINISH & WR 31-2376 31-2376 31-2376 31-2376		SPEC. RANGE: 102~262 REF. AWG 16-14		SPEC. CLASS: 丸型 RING TERMINAL	
A ADDED DIM'S 31-2376 31-2376 31-2376 31-2376		INSULATION DIA. 1.0		SPEC. TYPE: プラスチック 7リットル MARKING GRP	
D1 ADDED (REV. 01) 31-2376 31-2376 31-2376 31-2376		TOLERANCE EXCEPT AS NOTED: 0.4 1.0		K/E SCALE: 1	
O RELEASED 31-2376 31-2376 31-2376 31-2376		LOC: JAC-170782		REV. C1	
LTR 変更 (REVISION RECORD): DR. CHK. DATE		DR. NAME: 絶縁被覆端子 INSULATED TERMINAL			